

Camels Line Scan Series

Model NexScan™3C

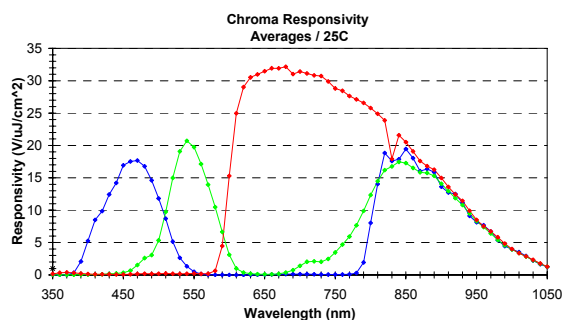
The NexScan™3C series is a compact color linescan camera with the best cost/performance ratio in the world. With high-quality industrial image sensor, electronic exposure control and superb system design, this camera offers high sensitivity, high data rate and low noise under a variety of illumination conditions, making it ideal for demanding applications such as flat panel display inspection and high-speed web inspection.



Key Features

- Camera with 4,080 pixels trilinear CCD sensor
- Maximum 7 kHz line rate
- 8/10-bit output
- Electronic exposure time control
- Auto tap balancing
- Built-in flat field correction
- Built-in spatial correction
- Built-in Gamma correction
- Built for tough industrial environments
- FPGA-based camera DSP/controller

Quantum Efficiency vs. Wavelength



Specifications

Model	NexScan3C-4080
Resolution	4,080 x 3
Cell Size	10 μm x 10 μm
Line to Line Spacing	90 μm
Camera Link® Pixel Clock	30 MHz
Max. Data Rate	30 Mpixel/s
Max. Line Rate	7 kHz
PC Interface	Camera Link® BASE
Output Pixel Depth	Single tap 8,10-bit/pixel
Lens Mount	F-mount
Housing	Anodizing Aluminum
Power Requirement	12V DC ± 10%
Ambient Operating Temperature	0°C to +50°C
Ambient Operating Humidity	30% to 90% RH



Camels Vision Technologies Inc.
1F, No. 9, R&D Rd. I, Hsinchu Science Park, Hsinchu City, Taiwan 30076
Tel:+886-3-563-2816 Fax:+886-3-563-2815
E-mail: info@camels.com.tw Web site: <http://www.camels.com.tw>
24-May-08

Camels Line Scan Series

Model NexScan™3C

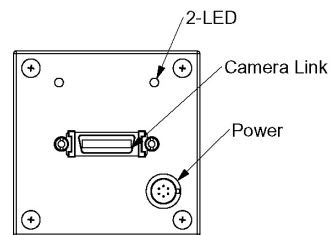
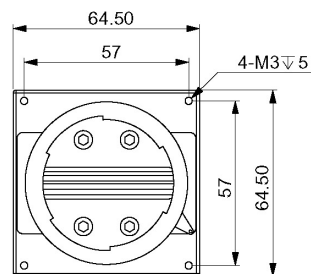
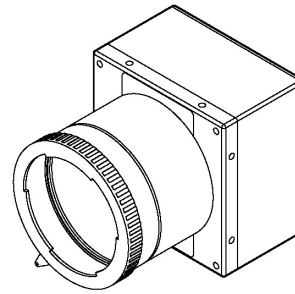
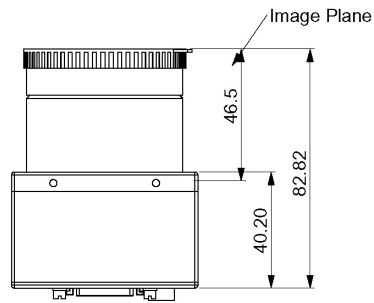
Size (W x H x L)

64.50 mm x 64.50 mm x 40.20 mm

Conformity

CE

Dimensions



Ordering Information

NexScan3C-4080: Typical NexScan3 color camera with 4,080 pixels

NexScan3C-4080TM: NexScan3 trilinear monochrome camera with 4,080 pixels

Products and specifications are subject to change without notice.



Camels Vision Technologies Inc.

1F, No. 9, R&D Rd. I, Hsinchu Science Park, Hsinchu City, Taiwan 30076

Tel:+886-3-563-2816 Fax:+886-3-563-2815

E-mail: info@camels.com.tw Web site: <http://www.camels.com.tw>

24-May-08