

Camels Area Scan Series

Model NexShot™2C

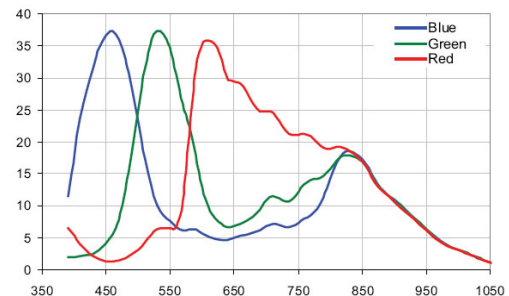
The NexShot™2C is a high-resolution color camera with C-mount lens interface. Incorporating the latest 1/2-inch progressive scan CMOS sensor technology, high data rate and clear images are assured under a variety of illumination conditions. The NexShot™2C series is ideal for use in demanding industrial system, digital microscopy, and video surveillance system.



Key Features

- Camera with 1/2-inch CMOS active-pixel digital image sensor
- Resolution of up to 3 Mega Pixels
- USB 2.0 interface with 480Mb/s throughput
- Built for tough industrial environments
- Full-featured Windows camera SDK (APIs)
- Adjustable back-focus design
- FPGA-based camera DSP/controller
- Class 100 clean-room assembly

Quantum Efficiency vs. Wavelength



Specifications

Model	NexShot2C-1.3M	NexShot2C-2M	NexShot2C-3M
Sensor Type	Progressive Scan Color CMOS (1/2-inch)		
Resolution	SXGA(1,280x1,024)	UXGA(1,600x1,200)	QXGA(2,048x1,536)
Imaging Area	6.66mm(H)x5.32mm(V)	6.72mm(H)x5.04mm(V)	6.55mm(H)x4.92mm(V)
Pixel Size	5.2x5.2µm	4.2x4.2µm	3.2x3.2µm
Shutter Type	Electronic Rolling Shutter (ERS)		
Max. Data Rate		48MB/s	
Max. Frame Rate¹	30fps	20fps	12fps
PC Interface		USB 2.0	
Output Format		10-bit/pixel	
Lens Mount²		C-mount	
Housing		Anodizing Aluminum	
Power Requirement		USB Bus Power	
Ambient Operating Temperature		0°C to +50°C	
Ambient Operating Humidity		30% to 90% RH	



Camels Vision Technologies Inc.
1F, No. 9, R&D Rd. I, Hsinchu Science Park, Hsinchu City, Taiwan 30076
Tel:+886-3-563-2816 Fax:+886-3-563-2815
E-mail: info@camels.com.tw Web site: <http://www.camels.com.tw>
05-Jun-08

Camels Area Scan Series

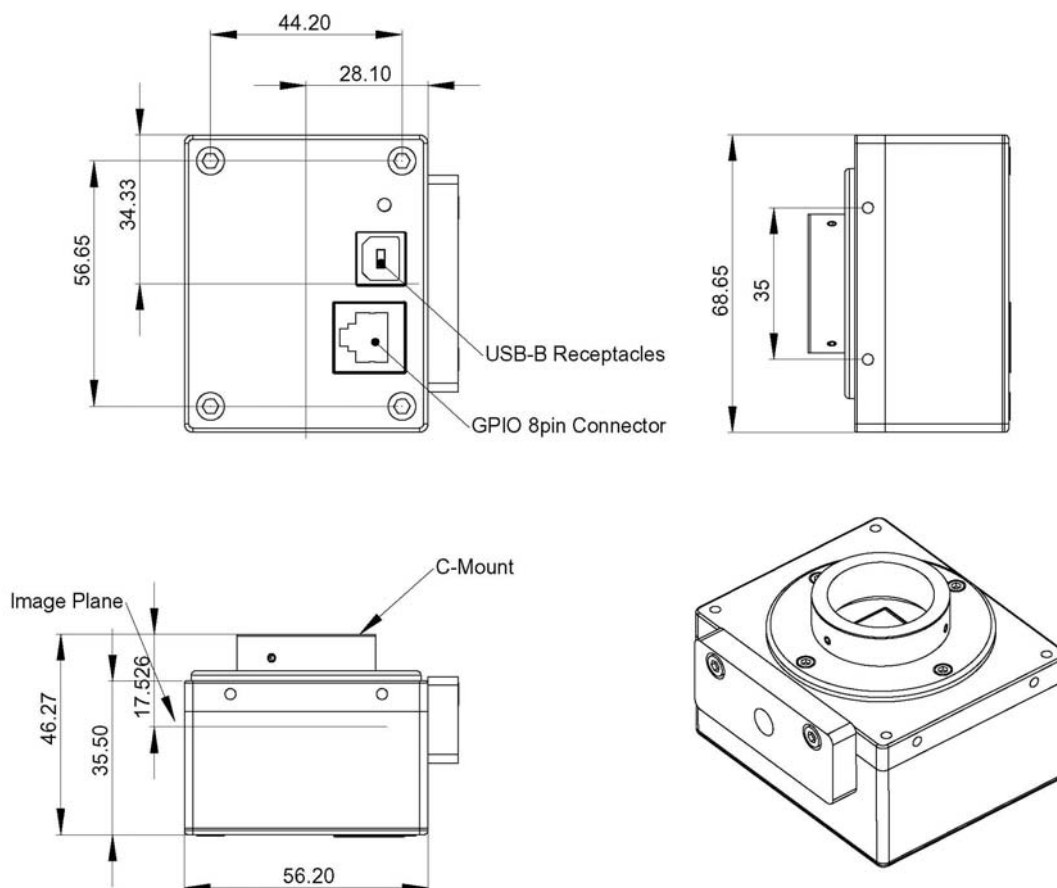
Model NexShot™2C

Size (W x H x L)

68.65 mm x 56.20 mm x 35.50 mm

1. The value relies heavily on PC performance.
2. Use > 1/2-inch format lenses.

Dimensions



Ordering Information

NexShot2C-xxM: Typical NexShot2C camera

NexShot2C-xxM1: Camera without IR cut filter

Products and specifications are subject to change without notice.



Camels Vision Technologies Inc.

1F, No. 9, R&D Rd. I, Hsinchu Science Park, Hsinchu City, Taiwan 30076

Tel:+886-3-563-2816 Fax:+886-3-563-2815

E-mail: info@camels.com.tw Web site: <http://www.camels.com.tw>

05-Jun-08