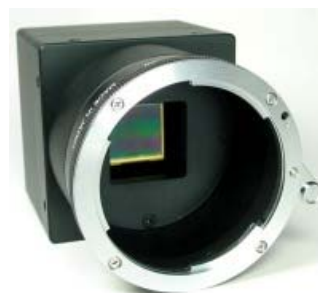


Camels Area Scan Series

Model NexShot™3M-4M

The NexShot™ series is ideal for use in demanding industrial system, digital microscopy, and video surveillance system.

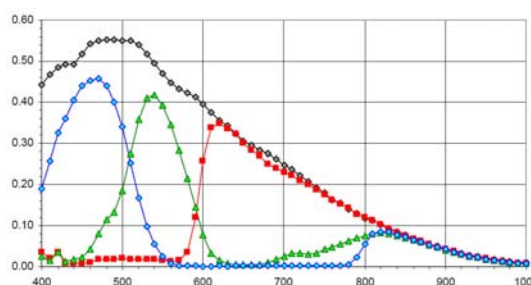
The NexShot™3M-4M is an industrial camera with interline progressive scan 4-Mpixel CCD sensor which features electronic global shutters. Excellent image quality is achieved by high dynamic range large CCD sensor and outstanding camera design technology. Rigid construction makes it ideal for harsh, 24-hour industrial operation environment.



Key Features

- Camera with 1.2-inch progressive scan IT CCD sensor
- 2048 x 2048 resolution @ 15 fps
- 8/10/12-bit output
- Auto tap balancing
- Sensor bad pixel correction
- Overlapped pattern for camera setup alignment
- Built for tough industrial environments
- FPGA-based camera DSP/controller

Quantum Efficiency vs. Wavelength



Specifications

Model	NexShot3M-4M	NexShot3M-4MX
Imaging Area	15.15 mm(H) x 15.15 mm(V) (1.2-inch)	
Resolution	2,048(H) x 2,048(V)	
Cell Size	7.4 μm x 7.4 μm	
Shutter Type	Global Shutter	
Camera Link® Pixel Clock	40 MHz	40 MHz
Max. Data Rate	40 Mpixel/s	80 Mpixel/s
Max. Frame Rate	7.5 fps	15 fps
PC Interface	Camera Link® BASE	
Output Pixel Depth	Single tap 8,10,12-bit/pixel	Dual tap 8,10,12-bit/pixel
Lens Mount	C-mount ¹ , F-mount, M42x1	
Housing	Anodizing Aluminum	
Power Requirement	12V DC \pm 10%	
Ambient Operating Temperature	0 °C to +50°C	
Ambient Operating Humidity	30% to 90% RH	



Camels Vision Technologies Inc.

1F, No. 9, R&D Rd. I, Hsinchu Science Park, Hsinchu City, Taiwan 30076

Tel:+886-3-563-2816 Fax:+886-3-563-2815

E-mail: info@camels.com.tw Web site: <http://www.camels.com.tw>

05-Jun-08

Camels Area Scan Series

Model NexShot™3M-4M

Size (W x H x L)

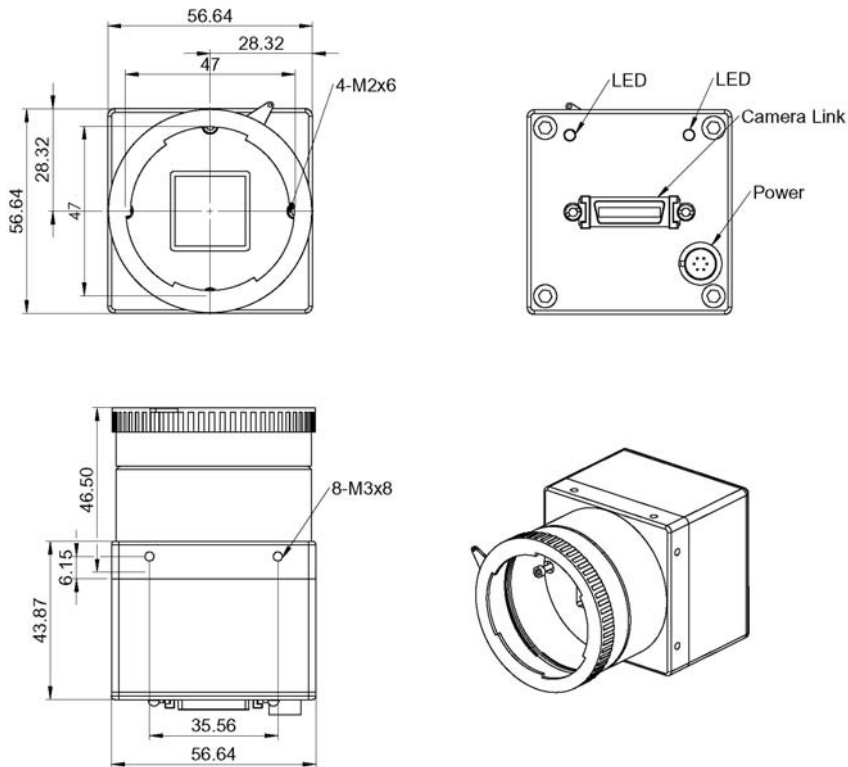
56.64 mm x 56.64 mm x 43.87 mm

Conformity

CE

1. Use > 1-inch format lenses.

Dimensions



Ordering Information

NexShot3M-4M: Typical NexShot3 camera with F-mount lens holder

NexShot3M-4MC: Camera with C-mount lens holder

NexShot3M-4MX: Camera with dual-tap outputs

Products and specifications are subject to change without notice.



Camels Vision Technologies Inc.

1F, No. 9, R&D Rd. I, Hsinchu Science Park, Hsinchu City, Taiwan 30076

Tel:+886-3-563-2816 Fax:+886-3-563-2815

E-mail: info@camels.com.tw Web site: <http://www.camels.com.tw>

05-Jun-08